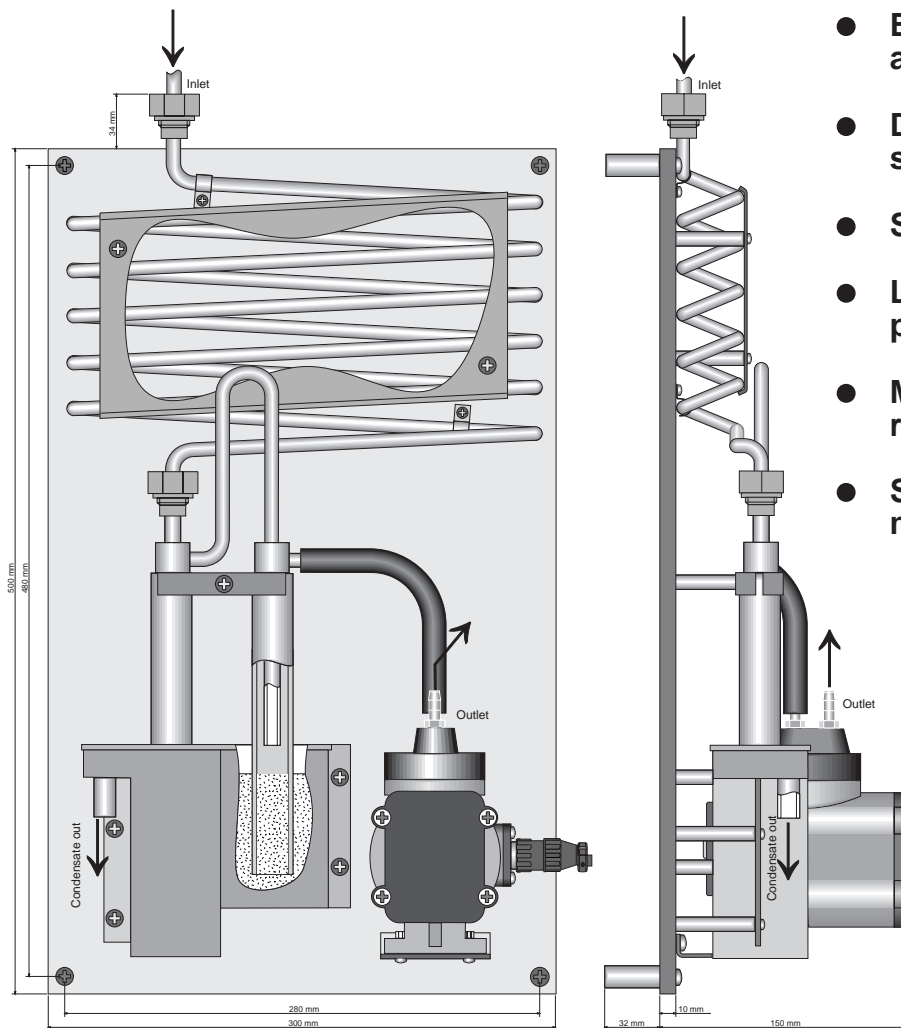


COMBUSTION OPTIMIZING

Extraction Pump

EP 3000



- Excessive cooling area
- Double condensate separation
- Selfdraining
- Low speed membrane pump
- Membrane in Vitone-rubber
- Simple installation and maintenance

Descriptions:

EP 3000 composed of: a radiator made of stainless steel tube, cooling the sample down to room temperature, two condensate-separators including condensate collector and a slow turning pump equipped with a membrane of high temperature gas tight Vitone rubber.

Application:

EP 3000 is used together with the ET 2000 through ET 4000 series of extraction tubes and facilitates extraction of flue-samples under severe conditions - up to 1400°C. The system is used with the OC 2010/OC 3000 zirconia oxygen indicator (when the OS 2000 probe cannot be fitted directly in the flue) or together with the paramagnetic oxygen analyser AG 0011 and the thermo-conductivity gas-analyser AG 0012.

Specifications:

Power supply:	127/230 V AC 50/60 Hz
Power consumption:	approx. 15 VA
Gasflow:	0,7 LPM at 20 kPa
Gastemperature:	maximum 400° C at the inlet
Connections:	Gas Inlet 8 mm steel tube Condensate outl. 10 mm hose connection Gas outlet 8 mm hose connection Power 4 pole multiplug
Dimensions:	H x W x D 534 x 300 x 182 mm

From the same supplier:

Oxygen Indicator

OC 2000 Precise, fastreacting and sturdy oxygen indicator with alarms and safe control capabilities. Includes the OS 2000 probe.

Oxygen Trim Regulator

OTC 2000 is a P.I.D. regulator that provides optimum combustion throughout the burner's full area of operation.

Measuring smoke and dust

ODM/PM/OPDM 2000 ensures robust and economical optical measuring of smoke density- and dust concentrations.

Gas analysis

AG 0011 and AG 0012 are two gas analysers providing absolute measurements of a variety of gasses including oxygen and nitrogen.

Fail Safe

FS2000 'Fail Safe' offers approved and reliable RPM control of combustion air fans.

Please ask for further details from:

SCAN TRONIC
COMBUSTION OPTIMIZING
 HADSTEN - DANMARK