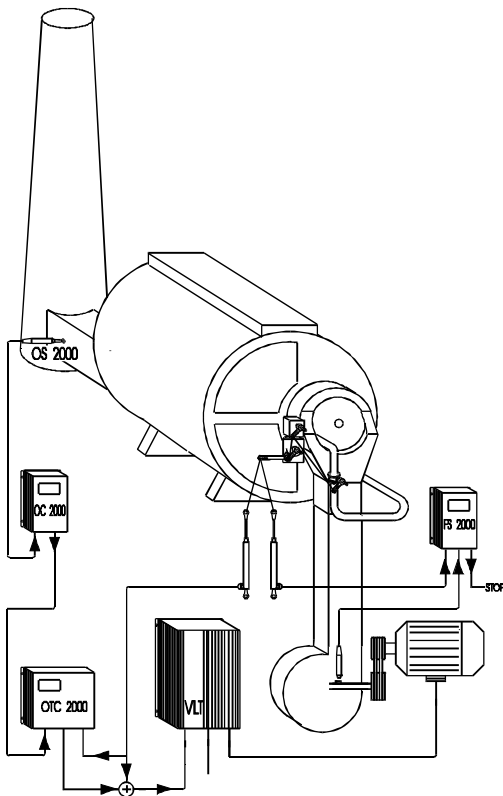


# FAIL SAFE

# Rotational Watch

# FS 2000

- Easy mounting
- Maintenance free
- "Fail Safe" function
- Extensive self-control inclusive sensors
- Simple and precise settings
- Attractive design in anodized aluminium
- EC tested and DGP approved



### Description:

FS 2000 is a speed control unit facilitating fail-safe speed regulation of air ventilators in ventilated burners - also burning gas. FS 2000 is designed to overcome internal and external errors - called fail-safe design - any component failure will either result in a safety-shutdown or the unit will continue operating - still being safe. FS 2000 reads out the measured speed of the ventilator on a four digit LED display - compares the speed to the demanded value and performs a safety-shutdown of the burner if the speed differs more than 10% from the correct value.

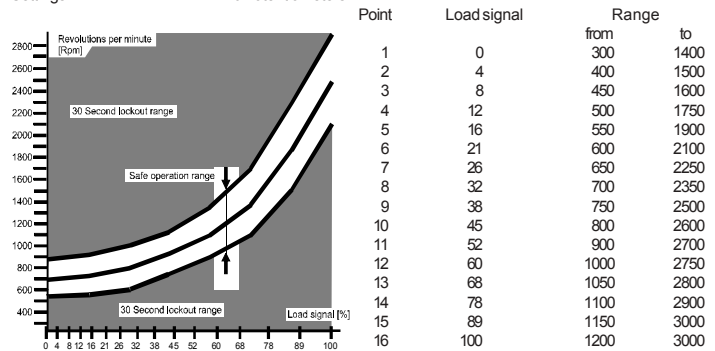
### Application:

Control loop for speed regulated motors. Enabling the fail-safe use of frequency converters and other similar devices, to control the speed of the air ventilator supplying combustion air in gas and oil burners. Forwarding a control signal modified by the internal electronic calculated curve-band inside the unit. This way linking corresponding fuel and air values - avoiding mechanical solutions. Enabling close and safe operation - limiting excess air to a small and reproducible value.

### Specifications:

Power supply: 230 V AC 50/60 Hz  
 Power consumption: Max. 10 VA  
 Prefuse: Supply 6Amp, Contacts 6 Amp Quick blow  
 Dimensions: H x W x D 244x159x56mm  
 Readout: 1) Shaft RPM on a seven segment LED, 2) Deviation from demanded curve.  
 Inputs: 1) Proximitive sensor (Namur) on blower shaft one impulse per revolution, 2) Potentiometer 1 Kohm ±3%  
 Outputs: 1) Contacts 1 Making, 1 Breaking, 2) Current loop 4 - 20 mA  
 Lockout ranges: ±10% of demanded speed in the interval between 40 and 100% of load signal. Linearly increasing to ±15% in the interval between 40 and 0% of load.  
 Lockout timing: 3 Sec. by decreasing speed, 30 Sec. by increasing speed  
 Curve band: 16 points between 0, 4, 8, 12, 16, 21, 26, 32, 38, 45, 52, 60, 68, 78, 89 and 100% of the load potentiometer. Used travel distance 4 to 96% of potentiometer.

### Settings:



From the same supplier:

#### Oxygen Indicator

OC 2000 Precise, fast reacting and sturdy oxygen indicator with alarms and safe control capabilities. Includes the OS 2000 probe.

#### Oxygen Trim Regulator

OTC 2000 is a P.I.D. regulator that provides optimum combustion throughout the burner's full area of operation.

#### High-Temp. Extraction System

ETS 2000 Offers oxygen measurement in gases up to 1400 °C and higher - also in harsh environments.

#### Measuring smoke and dust

ODM/PM 2000 ensures robust and economical optical measuring of smoke density- and dust concentration.

#### Electric panels

Complete electric panels - a full range from the most simple to state-of-the-art computerized solutions with illustrative mimic diagrams.

Please ask for further details from:



GREENHEY PLACE  
 SKELMERSDALE  
 LANCASHIRE (UK) WN8 9SB  
 UNITED KINGDOM  
 Telephone +44 1695 714600  
 Fax +44 1695 714611  
 email: sales@skilcontrols.com