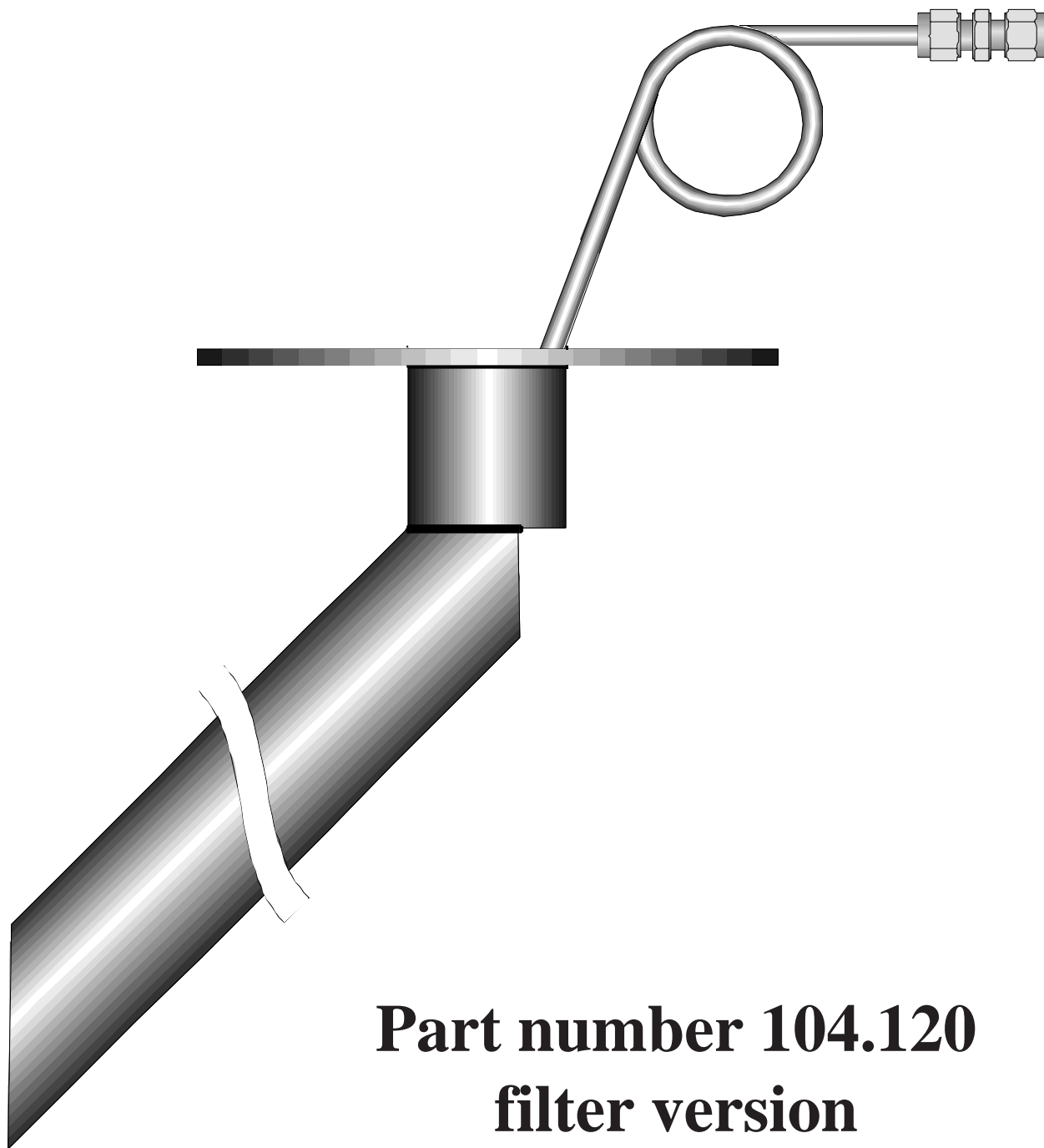


Fluegas-guidetube



Part number 104.120
filter version

Manual

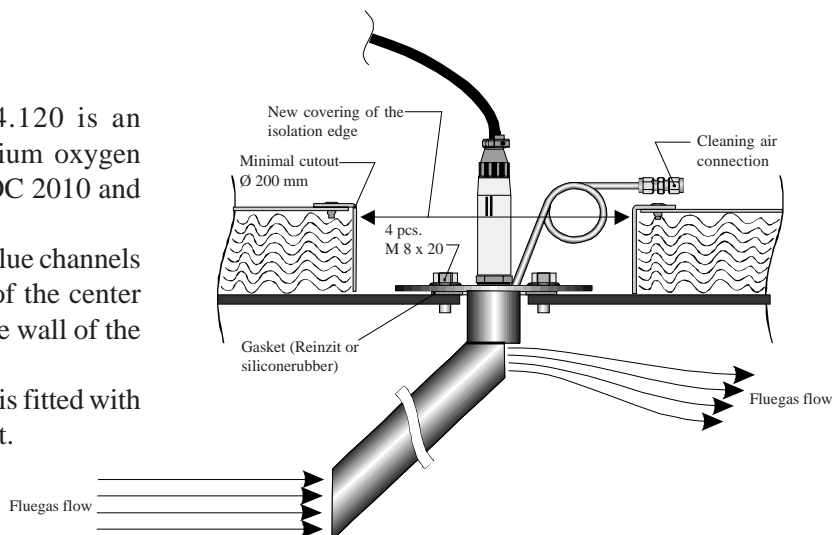
Description:

Fluegas-guidetube part number 104.120 is an accessory to the type OS 2000 zirconium oxygen sensor, which is part of the OC 2000, OC 2010 and OC 3000 oxygen meters.

The fluegas-guidetube is used on larger flue channels to assure that a representative sample of the center flow is guided to the sensor placed at the wall of the flue.

Fluegas-guidetube part number 104.120 is fitted with a filter to protect the sensor against dust.

This filter can be cleaned automatic using pressurised air.



Specifications:

Installation site:	Top side of a rectangular flue channel
Installation method:	Flange mounted directly on the surface of the flue-channel wall on a counter-flange welded into the plate of the flue-channel wall.
Flange dimensions:	Outer diameter: $\text{Ø } 140 \text{ mm}$
	Fitting: 4 pcs M8 free holes in a 67,2 mm square
Cutout:	Insulation: A free hole minimum $\text{Ø } 200 \text{ mm}$ is cut in the insulation layer. The edge is covered with a suitable material.
	Holes: one $\text{Ø } 50 \text{ mm}$ centerhole and 4 pcs 6,8 mm holes in a 67,2 mm square
Gasket:	$d = 47 \text{ mm}$, $D = 88 \text{ mm}$ and $h = 3 \text{ mm}$ Reinzit 34 or silicone-rubber
Guide tube:	$\text{Ø } 38 \text{ mm}$ tube 450 mm long (tube up to 2000 mm long supplied on order).
Dive length:	335 mm (1400 mm with a 2000 mm long tube)
Connections:	M 18 x 1,5 hole for the OS 2000 sensor. 6 mm tube fitting for automatic cleaning with pressurised air (6 Bar 500 mS every 60 minutes)
Materials:	Stainless acid proof steel AISI 316
Temperatures:	Flue-gas temperature: max. 400 °C Ambient temperature: max. 100 °C
Standard accessories:	Supplied with 1 pc. Reinzit 34 gasket and 4 pcs. M 8 x 20 self-tapping bolts
Special supplied versions:	1. On request the guide tube can be supplied with a length of up to 2000 mm. 2. On request the guide tube can be supplied with a pre-bent flange. This way the guide tube can be fitted on the surface of a round flue gas channel (minimum diameter 400 mm)

Installation:

The installation is best performed on the top side of the flue-channel. This way any dust deposits around the sensor are avoided.

Procedure:

1. Cut a minimum 200 mm diameter hole in the insulation of the flue channel.
2. Clean the metal surface carefully.
3. Cut and drill 5 holes as illustrated (the drawing is 1 : 1 and can be used as a stencil)

4. Fit the gasket. With care a small amount of silicone rubber can be used - but the rubber must be complete hardened before the sensor are fitted (silicone is poison for the sensor).
5. Place the fluegas-guide tube in the hole with the „nose“ upstream in the gas flow.
6. Fit the four selftapping screws and tighten them carefully.
7. Fit the OS 2000 sensor in the center hole of the flange.

